

1W SURFACE MOUNT ZENER DIODES

FEATURES :

- Low leakage current.
- Excellent stability
- High temperature soldering guaranteed 260°C/ 10 Seconds
- Lead free in compliance with EU RoHS directive.



MECHANICAL DATA :

- Case : Molded plastic, SOD-123FL
- Terminals: Solderable per MIL-STD-750, Method 2026
- Polarity: Color band denotes cathode end
- Mounting position: Any

SOD-123FL

MAXIMUM RATINGS (Ratings at 25 °C ambient temperature unless otherwise specified)

Parameter	Symbol	Value	Unit
Power Dissipation TA=25 °C (Note 1)	P _D	1000	mW
Maximum Thermal Resistance (Note 2)	R _{θJA}	150	°C /W
Operation Junction Temperature Range	T _J	-55 to +150	°C
Storage Temperature Range	T _{STG}	-55 to +150	°C

Note :

1. Mounted on a 5mm x 5mm copper pads to each terminal.
2. Mounted on a FR-4 PCB, single sided copper, mini pad.

DZL4728A THRU DZL1330A

ELECTRICAL CHARACTERISTICS (T =25°C unless otherwise noted)

Type	Nominal Zener Voltage VZ@IZT	Zener Test Current IZT mA	Maximum Zener Impedance		IZT mA	Maximum Reverse Leakage Current		Surge Current @TA=25°C ir mA	Maximum Regulator Current IZM mA
			ZzT@IZT Ohms	Zzk@IZT		IR uA	VR olts		
DZL4728A	3.3	76.0	10.0	400	1.00	100.0	1.0	285.0	1370
DZL4729A	3.6	69.0	10.0	400	1.00	100.0	1.0	263.0	1255
DZL4730A	3.96	64.0	9.0	400	1.00	50.0	1.0	243.0	1160
DZL4731A	4.3	58.0	9.0	400	1.00	10.0	1.0	219.0	1050
DZL4732A	4.7	53.0	8.0	500	1.00	10.0	1.0	203.0	960
DZL7733A	5.1	49.0	7.0	550	1.00	10.0	1.0	186.0	885
DZL4744A	5.6	45.0	5.0	600	1.00	10.0	2.0	170.0	805
DZL4745A	6.2	41.0	2.0	700	1.00	10.0	3.0	146.0	730
DZL4746A	6.8	37.0	3.5	700	1.00	5.0	4.0	133.0	660
DZL4747A	7.5	34.0	4.0	700	0.50	5.0	5.0	121.0	605
DZL4748A	8.2	31.0	4.5	700	0.50	5.0	6.0	110.0	550
DZL4749A	9.1	28.0	5.0	700	0.50	0.5	7.0	100.0	500
DZL4750A	27.0	9.5	35	750	0.25	0.1	20.6	34.0	170
DZL4751A	30.0	8.5	40	1000	0.25	0.1	22.8	30.0	150
DZL4752A	33.0	7.5	45	1000	0.25	0.1	25.1	27.0	135
DZL4753A	36.0	7.0	50	1000	0.25	0.1	27.4	25.0	125
DZL4754A	39.0	6.5	60	1000	0.25	0.1	29.7	23.0	115
DZL4755A	43.0	6.0	70	1500	0.25	0.1	32.7	22.0	110
DZL4756A	47.0	5.5	80	1500	0.25	0.1	35.8	19.0	95
DZL4757A	51.0	5.0	95	1500	0.25	0.1	38.8	18.0	90
DZL4758A	56.0	4.5	110	2000	0.25	0.1	42.6	16.0	80
DZL4759A	62.0	4.0	125	2000	0.25	0.1	47.1	14.0	70
DZL4760A	68.0	3.7	150	2000	0.25	0.1	51.7	13.0	65
DZL4761A	75.0	3.3	175	2000	0.25	0.1	56.0	12.0	60
DZL4762A	82.0	3.0	200	3000	0.25	0.1	62.2	11.0	55
DZL4763A	91.0	2.8	250	3000	0.25	0.1	69.2	10.0	50
DZL4764A	100.0	2.5	350	3000	0.25	0.1	76.0	9.0	45
DZL1110A	110.0	2.3	450	4000	0.25	0.1	83.6	8.6	40
DZL1120A	120.0	2.0	550	4500	0.25	0.1	91.2	7.8	37
DZL1130A	130.0	1.9	700	5000	0.25	0.1	98.8	7.0	34
DZL1150A	150.0	1.7	1000	6000	0.25	0.1	114.0	6.4	30
DZL1160A	160.0	1.6	1100	6500	0.25	0.1	121.6	5.8	28
DZL1180A	180.0	1.4	1200	7000	0.25	0.1	136.8	5.2	25
DZL1200A	200.0	1.2	1900	9990	0.25	0.1	152.0	4.7	22
DZL1220A	220.0	1.0	1600	8000	0.25	0.1	167.2	4.0	20
DZL1240A	240.0	0.9	1800	8500	0.25	0.1	182.4	3.8	19
DZL1250A	250.0	0.9	2000	9000	0.25	0.1	190.0	3.6	18
DZL1270A	270.0	0.8	2100	9000	0.25	0.1	205.0	3.3	16
DZL1300A	300.0	0.8	2300	9500	0.25	0.1	228.0	3.0	15
DZL1330A	330.0	0.7	2300	9500	0.25	0.1	250.2	2.7	13

Typical Characteristics Curve

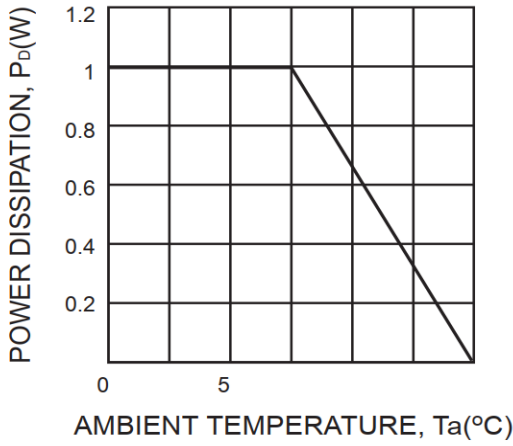


Fig. 1 - POWER TEMPERATURE DERATING CURV

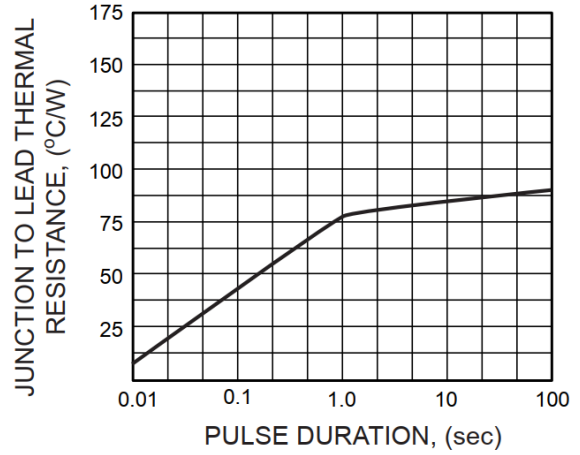
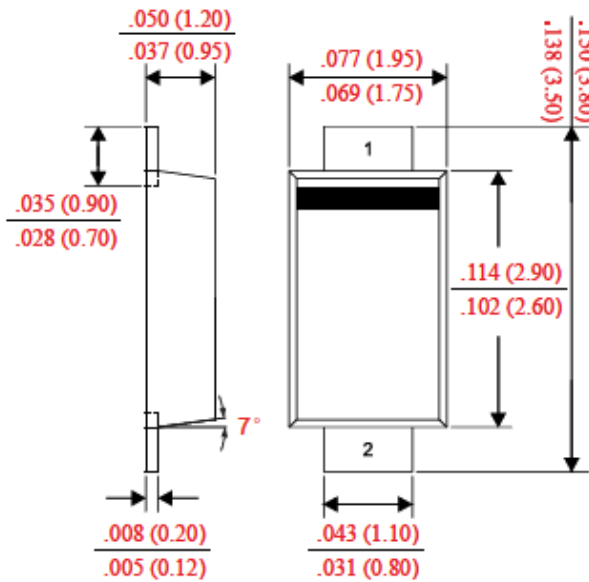


Fig. 2 - TYPICAL THERMAL RESISTANCE VERSUS LEAD LENGTH

- Package outlines : Dimensions in inches (millimeters)



Notice

MOSPEC reserves the rights to make changes of the content herein the document anytime without notification. MOSPEC or anyone on its behalf, assumes no responsibility or liability for any errors or inaccuracies. Please refer to MOSPEC website for the last document.

MOSPEC disclaims any and all liability arising out of the application or use of any product including damages incidentally and consequentially incurred.

Application shown on the herein document are examples of standard use and operation. Customers are responsible for comprehending suitable use in particular applications. MOSPEC makes no representation or warranty that such application will be suitable for the specified use without further testing or modification.

The information contained herein is presented only as a guide for the applications of our products. No responsibility is assumed by MOSPEC for any infringements of patents or other rights of the third parties which may result from its use. No license is granted by implication or otherwise under any patent or patent rights of MOSPEC or others.

These MOSPEC products are intended for usage in general electronic equipment. Please make sure to consult with MOSPEC before you use these MOSPEC products in equipment which require specialized quality and/or reliability, and in equipment which could have major impact to the welfare of human life (atomic energy control, aeronautics , traffic control, combustion control, safety devices etc.)